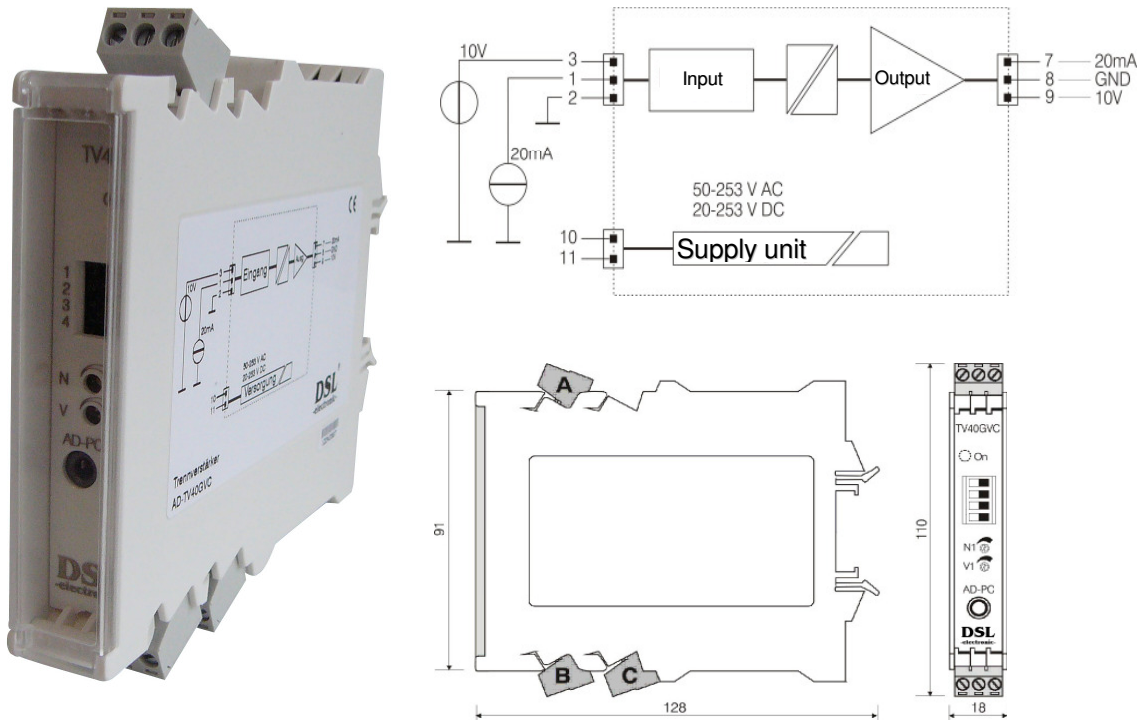


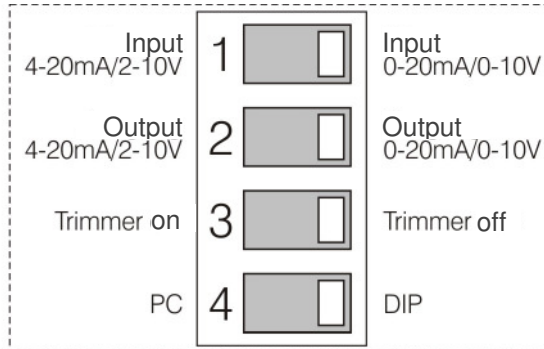
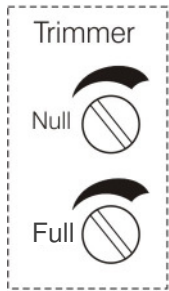
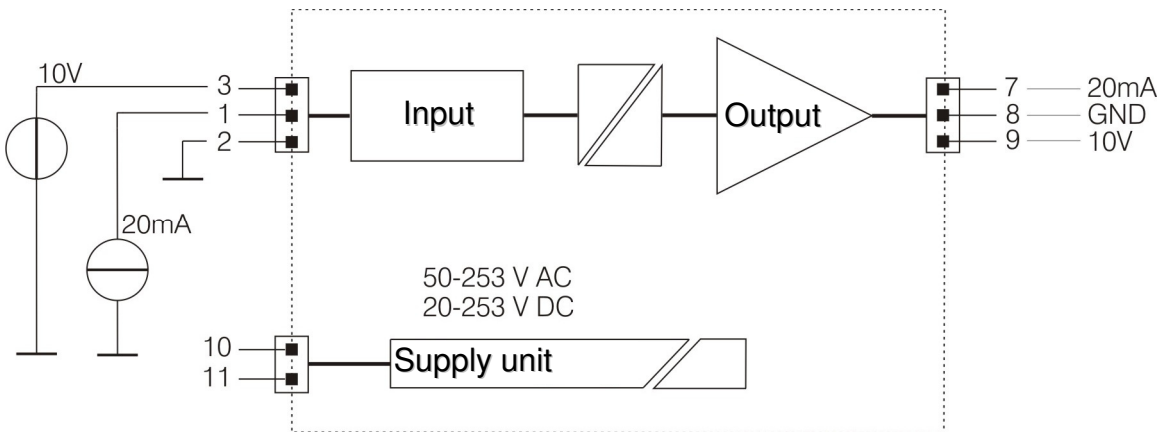
## Isolation Amplifier TV40GVC with Front Panel Adjustment

DSL-electronic® GmbH expand its family of custom design isolation amplifiers with the new innovative TV40GVC. This product features highest functionality and reliability.



- **Customizing signal conditioning with Front-Panel-Adjustment**  
 All norm signals at input and output are arbitrary
- **Universal power supply for 20 ... 253 VDC or 50 ... 253 VAC**  
 for worldwide use
- **Galvanic 3-Way isolation of input, output and the supply voltage**  
 protection against erroneous measurements due to ground loops and sturgeon voltage spread
- **Extremely slim and compact design**  
 18 mm housing with plug-in terminals
- **Interface to programming via PC**  
 Programming / Parametrization is possible via optional configuration software
- **Highest reliability**  
 no cost for maintenance

# Connection Diagramm



## Trimmer off

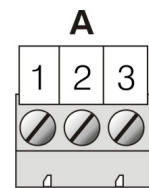
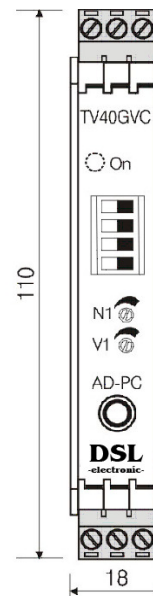
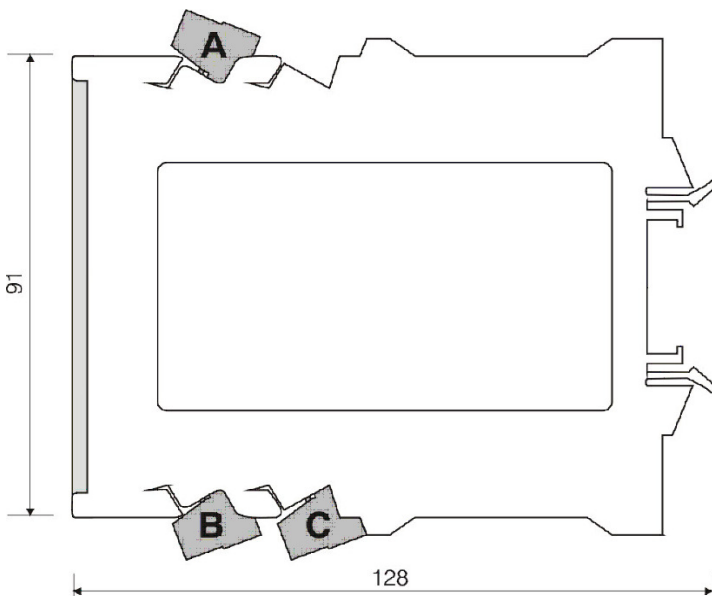
= Factory setting, norm signals are given by switch 1 and 2

## Trimmer an

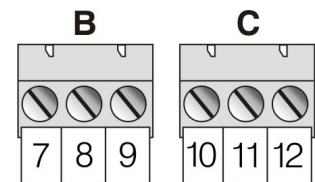
= Acitvated the front-adjustment for Offset (Null) and final value alignment range: +/- 20%

DIP = Factory setting, input- and output-signals are given by switch 1 until 3

PC = VarioConfig use configuration settings, switch switch 1 until 3 are inoperable



Connector block at the top



Connector block at the bottom

# Technical Characteristics

## Input Current

Measurement Range:	0-20 mA; 4-20 mA
Resolution:	10 Bit
Input Resistance:	50 Ohm

## Input Voltage

Measurement Range:	0-10 V; 2-10 V
Resolution:	10 Bit
Input Resistance:	100 kOhm

## Input Filter (optional available)

Filter:	10 ms/filter value (0 until 30.000)
---------	-------------------------------------

## Output Current

Output Range:	0-20 mA; 4-20 mA
Resolution:	11 Bit
Maximum Load:	400 Ohm
Ripple:	<50 $\mu$ Ass

## Output Voltage

Output Range:	0-10 V, 2-10 V
Resolution:	11 Bit
Minimum Load:	10 kOhm
Ripple:	<20 $\mu$ Vss
Linearity Error:	< 0,5 % from final value

## Total Precision

Device:	0,3%
Temperature Influence:	< 100 ppm / K
Reaction Time:	ca. 70 ms (10-90%)

## Trimmer Function

Alignment Range:	ca. +/-20%
------------------	------------

## Auxiliary Voltage

Supply Voltage:	20-253 VDC or rather 50-253 VAC
Max. Power Consumption:	1,2 W/2,8 VA

## Case

Case Size:	18*110*128mm (Width*Height*Depth)
Protection Class:	IP 20
Connection Technology:	Abziehbare Schraubklemmen
Cap Rail Norm:	Cap Rail (EN 50022)
Weight:	130 gram

## Ambient Conditions

Ambient Temperature Range:	0-50 °C
Storage/Transport Temperature Range:	-10-+70 °C

## EMV

Norm of Product Line:	EN 61326
Transient Emissions:	EN 55011, CISPR11 Kl.B

During interference minor signal deviations are possible

## Galvanic Isolation, Test Voltage

Input/Output:	2,5 kV RMS (1 Min.)
Signal/Supply:	4 kV RMS (1 Min.)

## Protection Circuit

Input/Output:	Over-voltage, over-current
Power Supply:	Over-current, over-voltage, over temperature