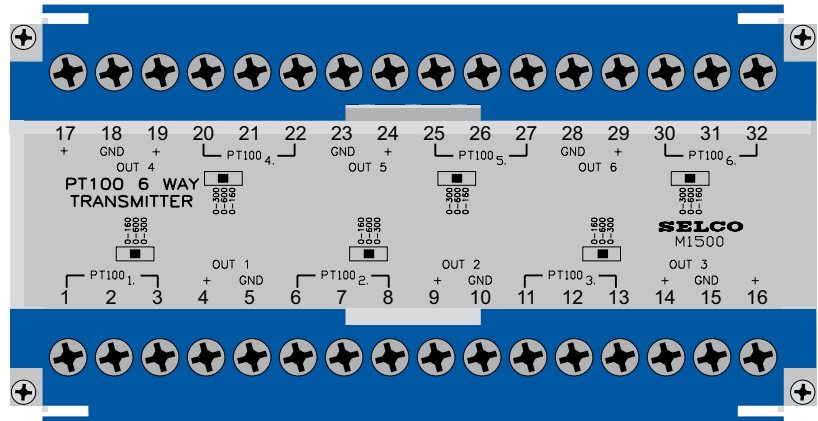


M1500 PT100 6 Way Transmitter

- 6 inputs for PT100 resistors
- 6 current outputs 4-20mA according to DIN EN 60751 & IEC 751
- Can be used together with the SELCO M3000 Analog Alarm Annunciator
- Cost effective and highly reliable compact design
- 50 hours burn-in before final test
- Operating temperature range: -20°C to +70°C
- Flame retardant enclosure
- DIN rail and screw mounting



Application

The M1500 provides a cost effective solution and includes 6 current transmitters in one box to be connected to temperature resistors. The unit can be used in connection with the SELCO M3000 Analog Alarm Annunciator.

Function

The PT100 resistors are connected at the inputs illustrated in fig. 1. The resistance of PT100 resistors depends on the temperature. The reason for the middle terminals (e.g. terminal 2) is to compensate for resistance in the cable.

The outputs are 4-20mA current outputs, also illustrated in fig. 1.

The output current is 4-20mA for temperatures 0-160°C, 0-300°C or 0-600°C according to DIN EN 60751 & IEC 751.

The temperature range is selected for each input on the front panel.

The ratio between current and temperature is linear, meaning that for 0-160°C PT100 resistors, 0°C corresponds to 4mA, 80°C correspond to 12mA and 160°C correspond to 20mA.

Fig. 2 illustrates the connections to one input group of the M3000 Analog Alarm Annunciator. The reference resistor R should be used with M3000-20 Analog Alarm Annunciator, but not with the newer version instrument M3000-30. The resistor should be 261Ω ¼W with a tolerance of 0.1%.

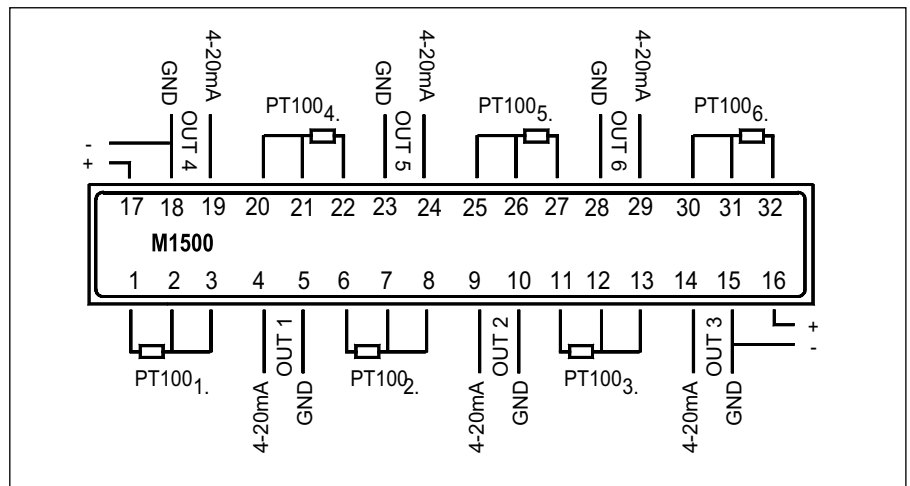


Fig. 1. Connection Diagram.

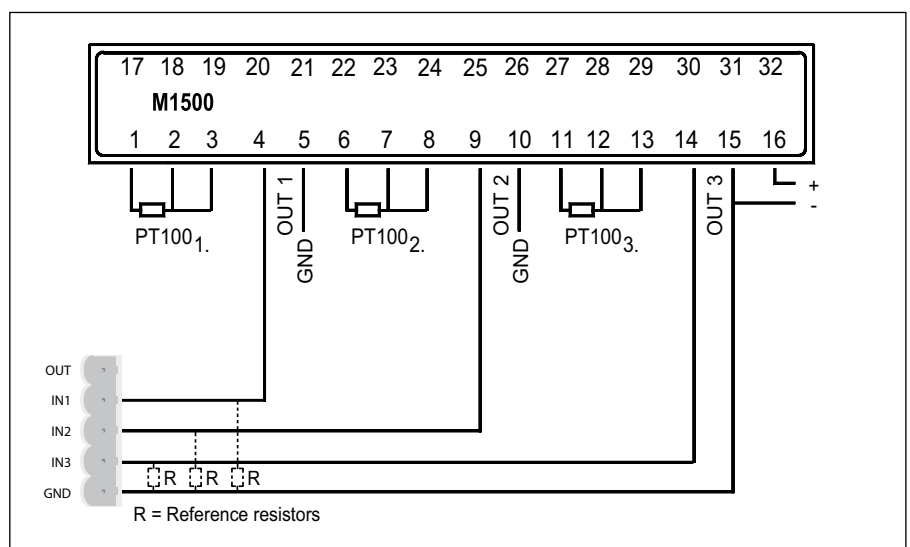


Fig. 2. Connections to Input Group on the M3000 Analog Alarm Annunciator. Reference resistors are only to be used with the M3000-20 Analog Alarm Annunciator, but not with M3000-30.

Specifications

M1500 PT100 6 Way Transmitter

Type Approvals and Certificates

The M1500 has been designed and tested for use in harsh environments. The unit is based on standard components, providing long term durability. The M1500 carries the CE label and has been approved by the Russian Maritime Register of Shipping.



Voltage supply	24V DC \pm 30%
Inputs	6 inputs for PT100 resistors
Outputs	6 current outputs, 4-20mA according to DIN EN 60751 & IEC 751
Operating temperature	-20°C to +70°C
EMC	CE according to EN50081-1, EN50082-1, EN50081-2, EN50082-2, EN61000/6/2:1999
Approvals	Certified by the Russian Maritime Register of Shipping
Burn-in	50 hours before final test
Enclosure material	Polycarbonate, flame retardant
Weight	0.5kg
Dimensions	70 x 150 x 115mm (H x W x D)
Installation	35 DIN rail or two 4mm (3/16") screws

The specifications are subject to change without notice.

Type Selection Table

Type	Terminal		Function
	15-16	17-18	
M1500.0010	24V DC	24V DC	Selectable: 0-160°C, 0-300°C or 0-600°C

SELCO Worldwide

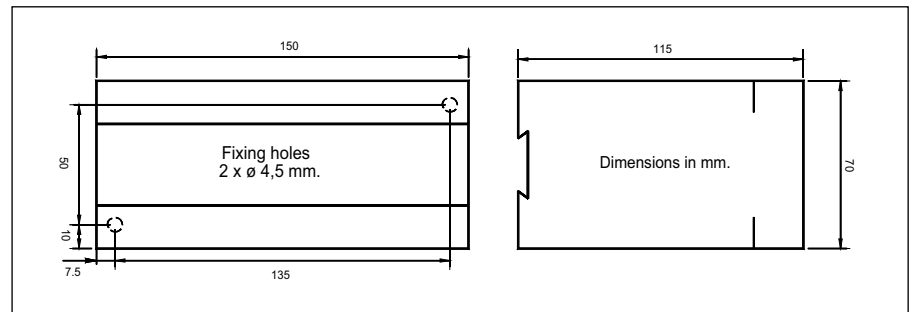


Fig. 3. Dimensions.

Main office:
 SELCO A/S
 Betonvej 10
 DK-4000 Roskilde
 Denmark
 Phone: + 45 7026 1122
 Fax: + 45 7026 2522
 e-mail: selco.dk@selco.com
 www.selco.com

